

B1 INSTALLATION DRAWING

IF THIS DOCUMENT IS PRINTED IN HARD COPY, IT IS FOR INFORMATION USE ONLY AND THEREFORE IS NOT SUBJECT TO UPDATING CONTROLS. ALWAYS REFER TO SOLIDWORKS VIEWER FOR LATEST ISSUE

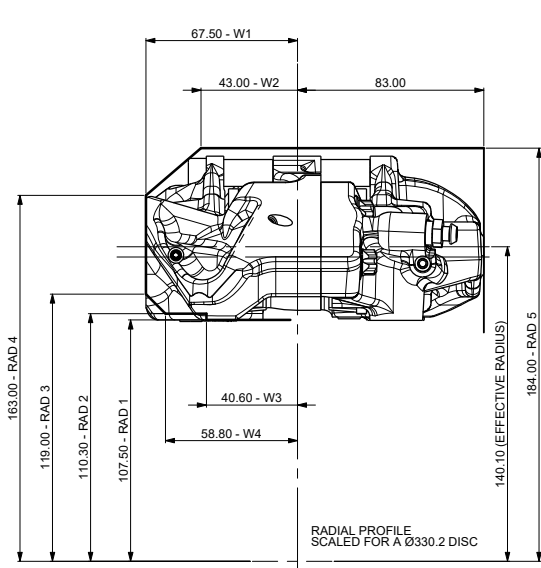


THIS DRAWING IS CONFIDENTIAL AND IS SUPPLIED ON THE EXPRESS CONDITION THAT IT SHALL NOT BE LOANED OR COPIED OR DISCLOSED TO ANY OTHER PERSON OR USED FOR ANY OTHER PURPOSE WITHOUT THE WRITTEN CONSENT OF AP RACING LTD.

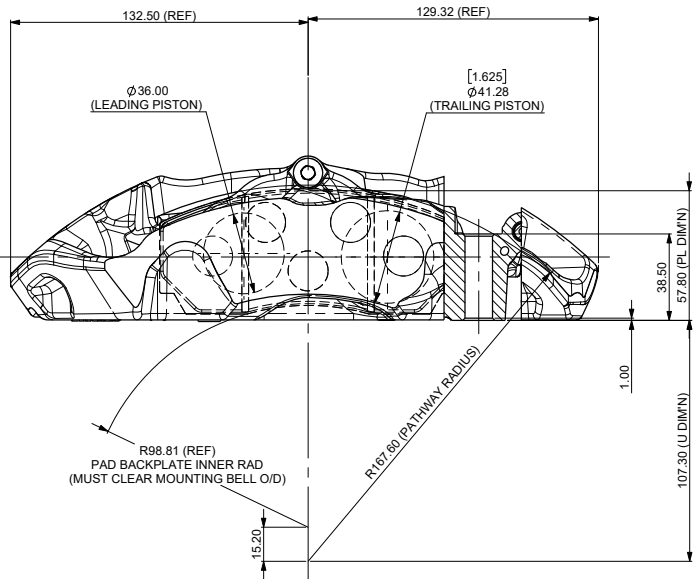


AP Racing
Wheler Road
Coventry
CV3 4LB

Tel: +44 024 7663 9595
Fax: +44 024 7663 9559
e-mail: sales@apracings.co.uk
Web site: HTTP://www.apracings.com



DISC Ø	EFF RAD	RAD 1	RAD 2	RAD 3	RAD 4	RAD 5	W1	W2	W3	W4	W5
315	132.6	100.00	102.80	111.50	156.75	178.75	67.50	43.00	40.60	58.80	83



GENERAL DESCRIPTION
4 PISTON DIFFERENTIAL BORE CALIPER TO SUIT UP TO 330.2 x 28 IRON DISC.

APPLICATION
GENERAL USE CALIPER

TECHNICAL INFORMATION
TOTAL PISTON AREA: 47.12cm²
BODY MATERIAL: ALUMINIUM ALLOY
PISTON MATERIAL: STAINLESS STEEL

ASSEMBLY WEIGHT (LESS PADS): 2.16Kg

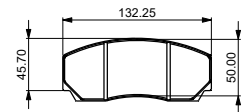
INSTALLATION INFORMATION
DISC & CALIPER MOUNTING TOLERANCES TO BE SUCH THAT THE DISC IS CENTRAL TO THE CALIPER TO WITHIN ±0.5mm. DISC DIAMETRAL CLEARANCE SHOULD BE 2.5mm NOMINAL FROM DISC O/D TO PATHWAY.

KEY TO DIMENSIONS
'PL' DIMM: TOP OF PAD MATERIAL TO MOUNTING BOSS FACE, WITH PAD SITTING DOWN ON LEDGE.
'U' DIMM: WHEEL CENTRE LINE TO CALIPER MOUNTING BOSS FACE = (DISC Ø/2) - PL DIMM

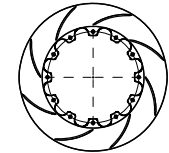
AP RACING TECHNICAL SECTION WILL BE PLEASED TO ADVISE ON THE MOST SUITABLE EQUIPMENT FOR ANY PARTICULAR APPLICATION.

CALIPER PART NUMBERS
CP9440-2S4L - RIGHT HAND
CP9440-3S4L - LEFT HAND

RECOMMENDED DISC AND PAD OPTIONS AVAILABLE
D50 DISC AND PAD COMBINATION

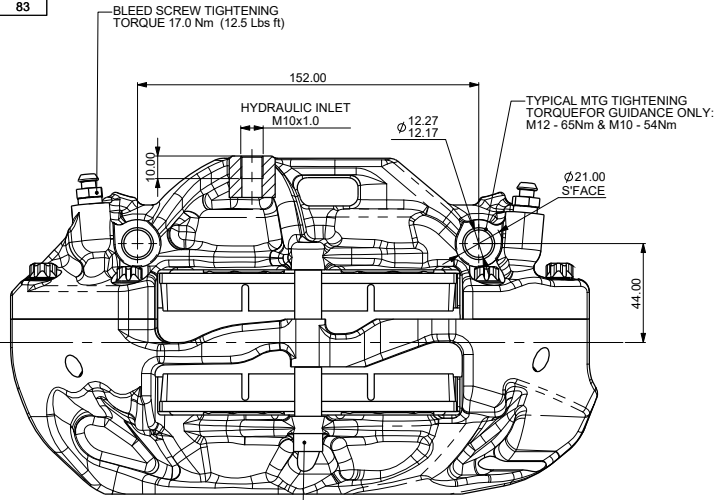


CP3215D50 PAD FAMILY
PAD THICKNESS - 16.75MM
PAD AREA - 57.37CM²
PAD VOLUME - 97.53CM³



CP5000-210/1CG8 Ø330x28 12B 36v 4.94Kg
CP3580-2898/9CG8 Ø330x28 12B 48v 5.94Kg
CP5000-220/1CG8 Ø315x28 12B 36v 5.64Kg

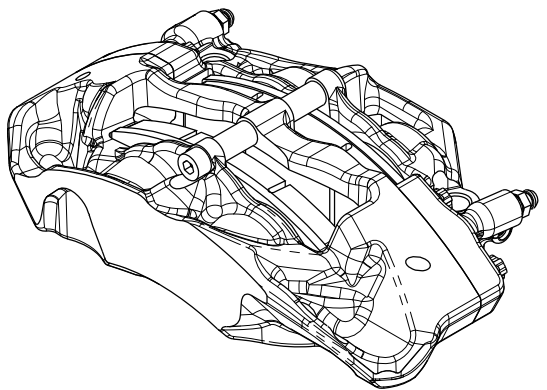
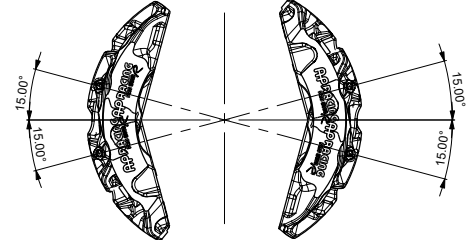
SEE CUSTOMER DRAWING FOR FULL DETAIL



BLEED SCREW TIGHTENING TORQUE 17.0 Nm (12.5 Lbs ft)

PAD RETAINING BOLT SHOULD BE TIGHTENED TO A TORQUE OF 19Nm (14lb ft)

OPTIMUM BLEED POSITIONING
FOR OPTIMUM BLEED, THE CALIPER SHOULD BE INSTALLED IN THE LEADING OR TRAILING POSITION BETWEEN THE ANGLES SHOWN



REV	Alterations			Zone	Initials
	Date & No.	Particulars			
1	28/04/14 B6957	FIRST ISSUE		#	JH
2	13/11/14 B6957	DISC OPTIONS ADDED		#	CH
3	19/11/14 B6957	RADIAL PROFILE UPDATED RADIAL PROFILE TABLE ADDED DISC OPTIONS UPDATED		#	CH
4	13/09/16 B7823	MTG. HOLE DIA. CORRECTED FROM 12.3/12.2 TO 12.27/12.17		#	CH M
5	17/07/2017 B1728	CHANGED TORQUE SPECIFICATION NOTE		C10	SGW
6	20/07/23 RAC23531	SHEET 2 AKB SPRINGS ADDED TO SPARES TABLE AND MODEL		K10	HMB

SCALE 1:1	SHEET 1 OF 2
DRAWN JHERITAGE	
APPROVED	
DERIVED FROM #	
TITLE GENERAL USE 4-PISTON BRAKE CALIPER	
DRG NO.	CP9440-1CD

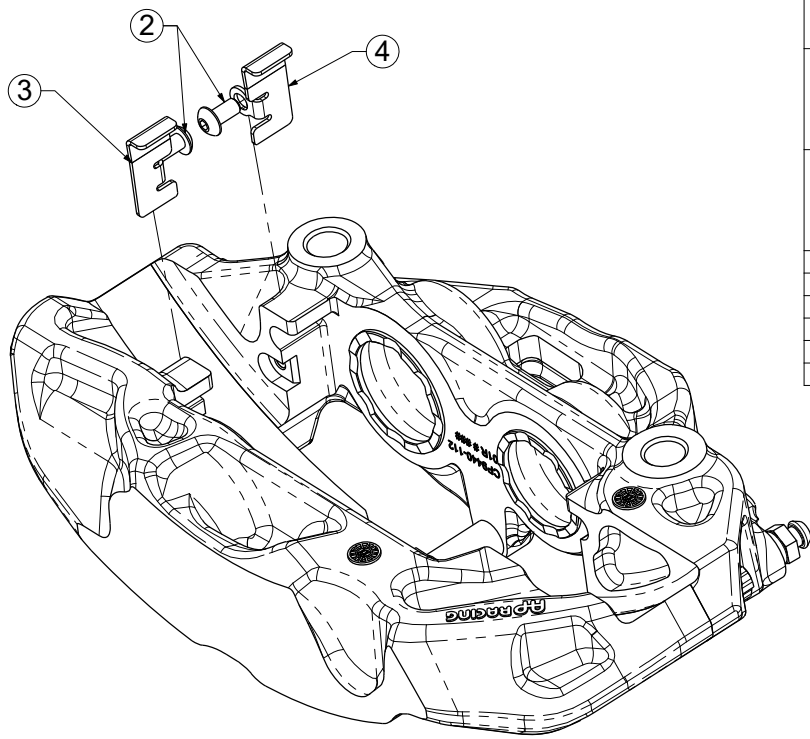
B1 INSTALLATION DRAWING

IF THIS DOCUMENT IS PRINTED IN HARDCOPY, IT IS FOR INFORMATION USE ONLY AND THEREFORE IS NOT SUBJECT TO UPDATING CONTROLS. ALWAYS REFER TO SOLIDWORKS VIEWER FOR LATEST ISSUE

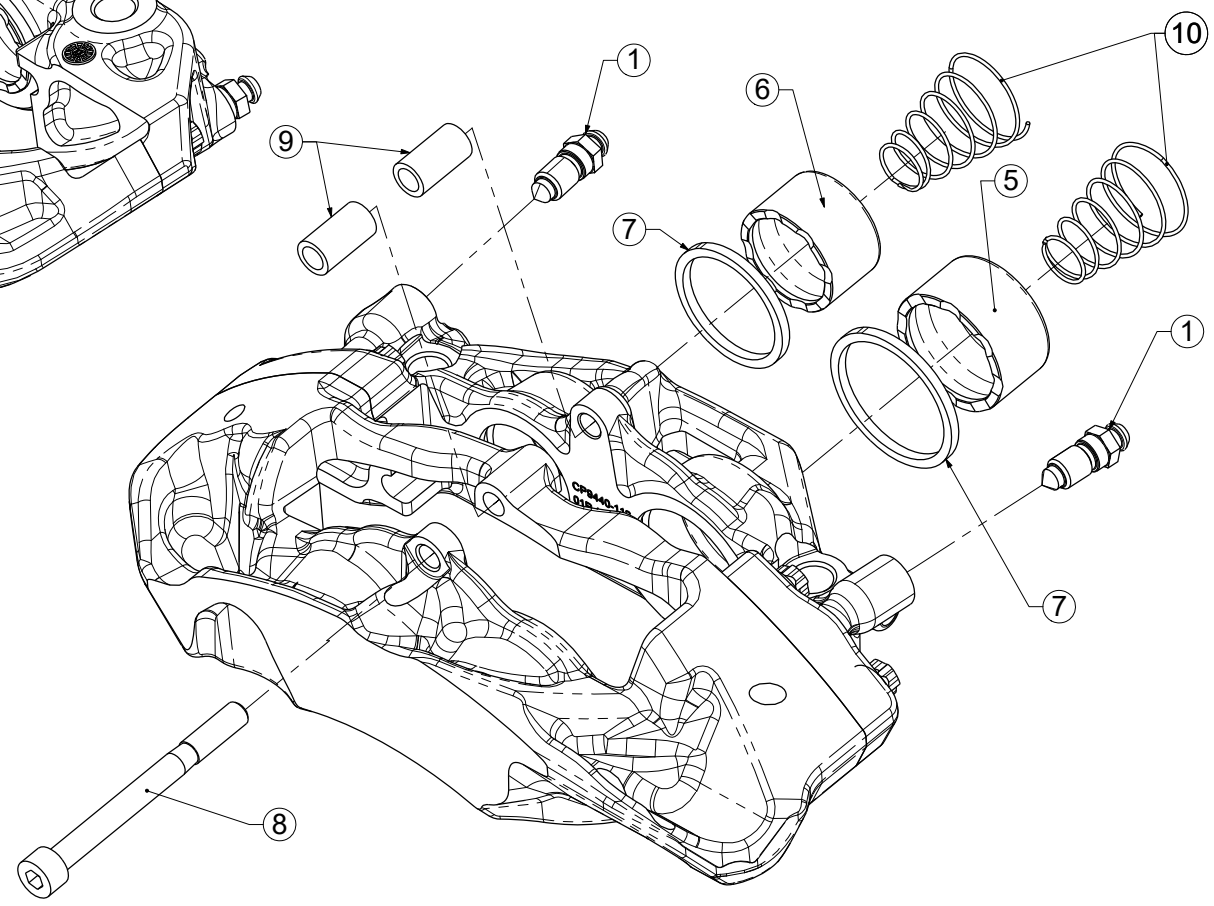


THIS DRAWING IS CONFIDENTIAL AND IS SUPPLIED ON THE EXPRESS CONDITION THAT IT SHALL NOT BE LOANED OR COPIED OR DISCLOSED TO ANY OTHER PERSON OR USED FOR ANY OTHER PURPOSE WITHOUT THE WRITTEN CONSENT OF AP RACING LTD.

AP RACING
 AP Racing
 Wheler Road
 Coventry
 CV3 4LB
 Tel: +44 024 7663 9595
 Fax: +44 024 7663 9559
 e-mail: sales@apracings.co.uk
 Web site: HTTP://www.apracings.com



REF	PART NUMBER	DESCRIPTION	QTY / CALIPER	FITTING NOTES
1	CP3880-1	M10 BLEED SCREW KIT	2	TIGHTENING TORQUE - 17Nm
2	CP9440-116	M5 BUTTON SCREW	2	APPLY A 1-2MM DROP OF LOCTITE 270 TO THE 2ND FROM LAST THREAD WHEN FITTING. TIGHTENING TORQUE - 3.7Nm
3	CP9440-108	RH WEARPLATE	1	APPLY 736 RTV SILICONE SPARINGLY BEHIND THE ABUTMENT PLATE ENSURING ENTIRE CONTACT FACE IS COVERED. APPLY PRESSURE TO ABUTMENT PLATE WHEN FITTING TO ENSURE MINIMUM FILM THICKNESS AND AVOID ANY GAP.
4	CP9440-109	LH WEARPLATE		ENSURE ABUTMENT PLATE SITS CORRECTLY AGAINST CALIPER BODY BEFORE FITTING RETAINING SCREW.
5	CP9440-106	Ø1 5/8" SST PISTON	2	
6	CP9440-107	Ø36MM SST PISTON	2	
7	CP8518-HK	PISTON SEAL KIT	1	REFER TO PUBLICATION REF: P14.290 & P14.220
8	CP3796-121ST	M8 CAP SCREW	1	TIGHTENING TORQUE - 13.1Nm
9	CP9440-110	PAD RETAINER TUBE	2	
10	CP6518-4LBLL	4lb AKB SPRING KIT	1	



Rev	Alterations		
	Date & No.	Particulars	Zone / Initials
1		SEE SHEET 1 FOR ISSUE INFORMATION.	

SCALE 1:1	SHEET 2 OF 2
DRAWN JHERITAGE	
APPROVED	
DERIVED FROM #	
TITLE GENERAL USE 4-PISTON BRAKE CALIPER	
DRG NO.	CP9440-1CD